

25.78G SFP28 Active Optical Cable

OTS-25G-AOC-XX

Features

- ◎ Supports 25.78125Gb/s serial optical interface
- ◎ Maximum link length of 70m on OM3 MMF or 100m on OM4 MMF
- ◎ 850nm Oxide VCSEL laser and PIN receiver
- ◎ Hot-pluggable SFP28 footprint
- ◎ Built-in digital diagnostic functions
- ◎ Single +3.3V power supply
- ◎ Power consumption less than 1.0 W
- ◎ Operating case temperature: -5~+70°C
- ◎ Internal CDR on both transmitter and receiver channel
- ◎ Support CDR bypass
- ◎ SFP28 MSA package with AOC connector



Applications

- ◎ 25GBASE-SR 25G Ethernet
- ◎ 25.78125 Gb/s single lane 100GE SR4
- ◎ Other optical links

Standard

- ◎ Compliant with SFF-8402 and SFF-8472
- ◎ Compliant to SFF-8431 and SFF-8432
- ◎ Compliant with IEEE 802.3by 25GBASE-SR
- ◎ Compliant with FCC 47 CFR Part 15, Class B
- ◎ Compliant with Telcordia GR-468-CORE

HuangShan Optoray Communication Corp.,Ltd.

No.4PiYun Road,Huangshan Economic Development Zone,Huangshan City,Anhui,China 245000

Tel:+86 559 5290615 Fax:+86 559 2585516

Http://www.optoray.com

© RoHS Compliant

Table 1. Regulatory Compliance

Product Certificate	Certificate Number	Applicable Standard
TUV	R50135086	EN 60950-1:2006+A11+A1+A12+A2 EN 60825-1:2014 EN 60825-2:2004+A1+A2
UL	E317337	UL 60950-1 CSA C22.2 No. 60950-1-07
EMC CE	AE 50285865 0001	EN 55022:2010 EN 55024:2010
FCC	WTF14F0514417E	47 CFR PART 15 OCT., 2013
FDA	/	CDRH 1040.10
ROHS	/	2011/65/EU

Product Description

The SFP28 transceivers are high performance, cost effective modules supporting data rate of 25.78125Gbps and Maximum link length of 70m on OM3 MMF or 100m on OM4 MMF.

The transceiver consists of three sections: a 850nm Oxide VCSEL laser transmitter, a PIN photodiode integrated with a trans-impedance preamplifier (TIA) and MCU control unit. All modules satisfy class I laser safety requirements.

The transceivers are compatible with SFP Multi-Source Agreement and SFF-8472 digital diagnostics functions.

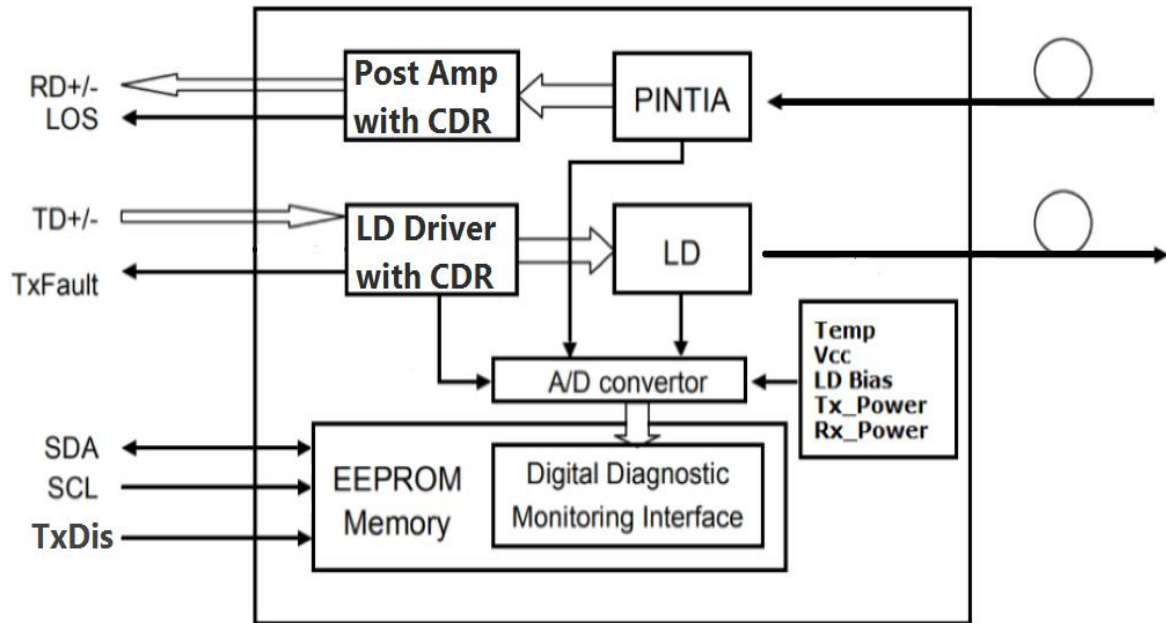


Figure 1. Transceiver functional Block Diagram

Absolute Maximum Ratings

Table 2. Absolute Maximum Ratings

(Exceeding the limits below may damage the transceiver module permanently)

Parameter	Symbol	Min	Typ	Max	Unit	Notes
Maximum Supply Voltage	Vcc	-0.5	-	+4.0	V	
Storage Temperature	Ts	-40	-	+85	°C	
Case Operating Temperature	TA	-10	-	+75	°C	
Relative Humidity	RH	5	-	85	%	1

Notes:

1. Non-condensing.

Recommend Operation Environment

Table 3. Recommend Operation Environment

Parameter	Symbol	Min	Typ	Max	Unit	Notes
Data Rate	BR	-	25.78125	-	Gbps	
Power Supply Voltage	Vcc	3.13	3.3	3.47	V	
Power Supply Current	Icc	-	-	300	mA	
Power Dissipation	Pd	-	-	1.0	W	
Case Operating Temperature	TA	-5	-	+70	°C	
Transmission Distance	TD	-	-	100	m	1

HuangShan Optoray Communication Corp.,Ltd.

No.4PiYun Road,Huangshan Economic Development Zone,Huangshan City,Anhui,China 245000

Tel:+86 559 5290615 Fax:+86 559 2585516

Http://www.optoray.com

Notes:

1. Measured with ITU-T G.651.1 OM3 MMF and OM4 MMF

Electrical Optical Characteristics

Table 4. Electrical Characteristics(T_{OP} = -5 to +70 °C, V_{CC} = 3.13 to 3.47 V)

Parameter	Symbol	Min	Typ	Max	Unit	Notes
Transmitter						
Differential Data Input Amplitude	V _{IN,P-P}	180	-	1200	mVpp	1
Input Differential Impedance	Z _{IN}	90	100	110	Ω	
Transmitter Fault Output-High	V _{OH}	2.0	-	V _{CC}	V	
Transmitter Fault Output-Low	V _{OL}	0	-	0.8	V	
Transmitter Disable Voltage- High	V _{IH}	2.0	-	V _{CC}	V	
Transmitter Disable Voltage- low	V _{IL}	0	-	0.8	V	
Receiver						
Differential output voltage swing	V _{OUT,P-P}	300	-	850	mVpp	1
Output Differential Impedance	Z _{OUT}	90	100	110	Ω	
LOS Output Voltage-High	V _{LOSH}	2.0	-	V _{CC}	V	
LOS Output Voltage-Low	V _{LOSL}	-	-	0.8	V	

Notes:

1. CML input/output, internally AC-coupled and terminated.

Optical Characteristics

Table 5. Optical Characteristics(T_{OP} = -5 to +70 °C, V_{CC} = 3.13 to 3.47 V)

Parameter	Symbol	Min	Typ	Max	Unit	Notes
Transmitter						
Optical Center Wavelength	λ _C	840	850	860	nm	
Data Rate	BR	-	25.78125	-	Gbps	
Average Output Power	P _O	-8.4	-	+2.4	dBm	
Optical Modulation Amplitude	P _{OMA}	-6.4	-	+3.0	dBm	
Optical Extinction Ratio	ER	2.0	-	-	dB	
RMS Spectral Width	σ	-	-	0.6	nm	
Relative Intensity Noise	RIN	-	-	-130	dB/Hz	
Optical Return Loss Tolerance	ORL	-	-	20	dB	
Transmitter Reflectance	R _T	-	-	-12	dB	
Average Launch power of Tx OFF	P _{OFF}	-	-	-30	dBm	
Optical Eye Mask	Compliant with IEEE 802.3by					
Receiver						
Center Wavelength Range	λ _C	840	850	860	nm	

HuangShan Optoray Communication Corp.,Ltd.
No.4PiYun Road,Huangshan Economic Development Zone,Huangshan City,Anhui,China 245000
Tel:+86 559 5290615 Fax:+86 559 2585516
Http://www.optoray.com

Data Rate	BR	-	25.78125	-	Gbps	
Maximum Receiver Power (OMA)	RPOMA	-	-	+3.0	dBm	1
Average Receive Power	RPO	-10.3	-	+2.4	dBm	
Receiver Sensitivity(OMA)	RSSENS	-	-	-10.3	dBm	1
Stressed Receiver Sensitivity (OMA)	RSRS	-	-	-5.2	dBm	
LOS Assert	LOSA	-25	-	-	dBm	
LOS De-Assert	LOSD	-	-	-13	dBm	
LOS Hysteresis	LOSH	0.5	-	5	dB	
Receiver Reflectance	RR	-	-	-26	dB	
Optical Return Loss	ORL	12	-	-	dB	

Notes:

1. Measured with worst ER=2.0dB, RPBS 2³¹-1 test pattern @25.78125Gbps BER=<5E-5

Table 6. Timing and Electrical

Parameter	Symbol	Min	Typ	Max	Unit
Tx Disable Negate Time	t_on	-	-	1	ms
Tx Disable Assert Time	t_off	-	-	10	μs
Time To Initialize, including Reset of Tx Fault	t_init	-	-	300	ms
Tx Fault Assert Time	t_fault	-	-	100	μs
Tx Fault To Reset	t_reset	10	-	-	μs
LOS Assert Time	t_loss_on	-	-	100	μs
LOS De-assert Time	t_loss_off	-	-	100	μs
Rate-Select Change Time	t_ratesel	-	-	10	μs
Serial ID Clock Rate	f_serial_clock	-	100	400	KHZ
SDA, SCL, MOD_ABS High Level	VH	2.0	-	VCC	V
SDA, SCL, MOD_ABS Low Level	VL	-	-	0.8	V

Pin Assignment

Table 7. Pin Descriptions

HuangShan Optoray Communication Corp.,Ltd.

No.4PiYun Road,Huangshan Economic Development Zone,Huangshan City,Anhui,China 245000

Tel:+86 559 5290615 Fax:+86 559 2585516

Http://www.optoray.com

Pin	Symbol	Name/Description	Notes
1	VEET	Module Transmitter Ground	
2	Tx_Fault	Module Transmitter Fault	1
3	Tx_Disable	Transmitter Disable, Turns off transmitter laser output	2
4	SDA	2 wire serial interface data input/output (SDA)	1
5	SCL	2 wire serial interface clock input (SCL)	1
6	MOD_ABS	Module Absent, connected to VeeT or VeeR in the module	1
7	RS0	Receiver Rate Select	
8	Rx_LOS	Loss of Signal indication, Logic 0 indicates normal operation	3
9	RS1	Transmitter Rate Select, Not Used for this product	
10	VEER	Module Receiver Ground	
11	VEER	Module Receiver Ground	
12	RD-	Receiver Inverted Data Output, AC Coupled	4
13	RD+	Receiver Non-Inverted Data Output, AC Coupled	4
14	VEER	Module Receiver Ground	
15	VccR	Module Receiver 3.3 V Supply	
16	VccT	Module Transmitter 3.3 V Supply	
17	VEET	Module Transmitter Ground	
18	TD+	Transmitter Non-Inverted Data Input, AC Coupled	5
19	TD-	Transmitter Inverted Data Input, AC Coupled	5
20	VEET	Module Transmitter Ground	

Notes:

1. Open collector/drain output, which should be pulled up with a 4.7k Ω to 10k Ω resistor on the host board if intended for use. Pull up voltage should be between 2.0V to 3.6V. A high output indicates a transmitter fault caused by either the TX bias current or the TX output power exceeding the preset alarm thresholds. A low output indicates normal operation. In the low state, the output is pulled to <0.8V.
2. Laser output disabled on Tx_Disable >2.0V or open, enabled on Tx_Disable <0.8V.
3. LOS is open collector output. Should be pulled up with 4.7k Ω to 10k Ω on host board to a voltage between 2.0V and 3.6V. Logic 0 indicates normal operation; logic 1 indicates loss of signal.
4. RD-/+ : These are the differential receiver outputs. They are internally AC-coupled 100 Ω differential lines which should be terminated with 100 Ω (differential) at the user SERDES.
5. TD-/+ : These are the differential transmitter inputs. They are internally AC-coupled, differential lines with 100 Ω differential termination inside the module.

HuangShan Optoray Communication Corp.,Ltd.

No.4PiYun Road,Huangshan Economic Development Zone,Huangshan City,Anhui,China 245000

Tel:+86 559 5290615 Fax:+86 559 2585516

Http://www.optoray.com

Pin Assignment (continued)

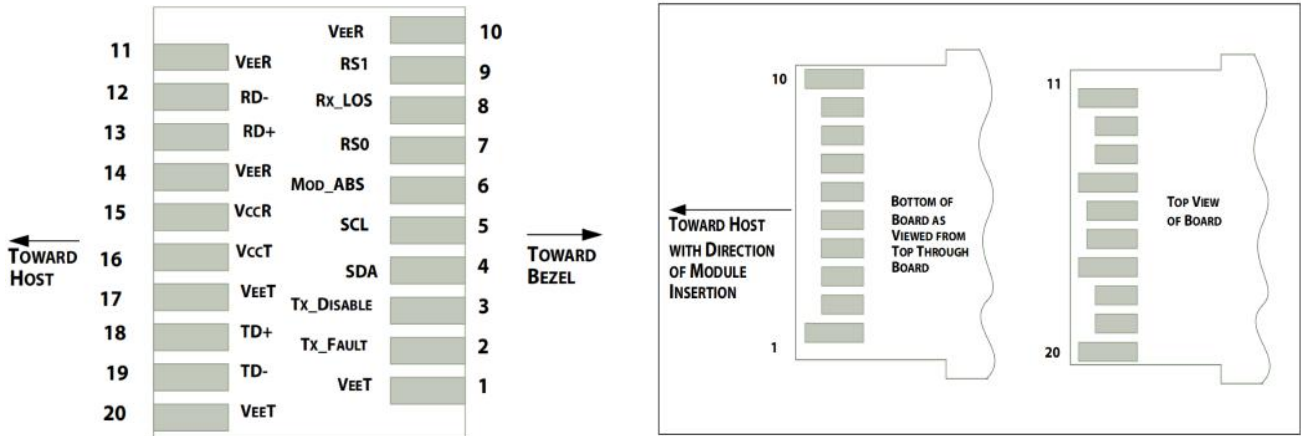


Figure 2. Host PCB SFP+ pad assignment top view and Names.

Digital Diagnostic Memory Map

The transceivers provide serial ID memory contents and diagnostic information about the present operating conditions by the 2-wire serial interface (SCL, SDA).

The diagnostic information with internal calibration or external calibration all are implemented, including received power monitoring, transmitted power monitoring, bias current monitoring, supply voltage monitoring and temperature monitoring.

The digital diagnostic memory map specific data field defines as following.

Table 8. Digital Diagnostic Memory Map (Specific Data Field Descriptions)

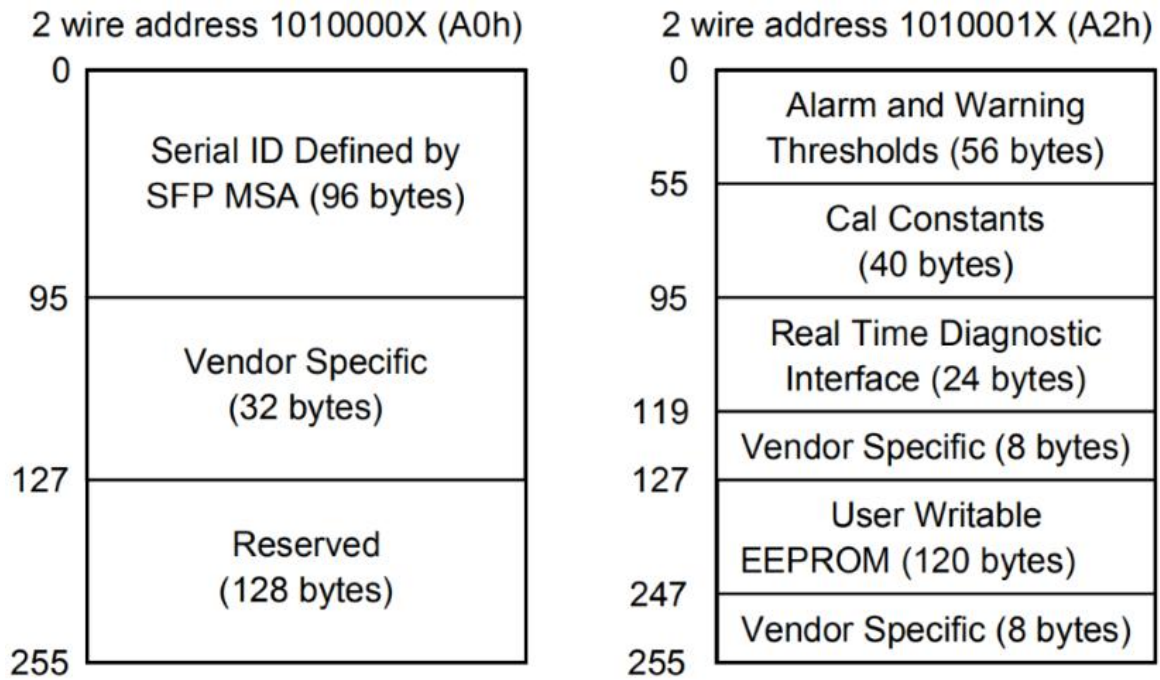


Table 9. Digital Diagnostic Monitor Characteristics

Parameter	Calibration	Range	Accuracy	Unit
Transceiver Internal Temperature	Internal	-5 to +70°C	±3.0	°C
Vcc3 Internal Supply Voltage	Internal	3.0 to 3.6V	±3.0	%
Laser Bias Current	Internal	0 to 20mA	±10	%
Tx Output Power	Internal	-8.5 to +3dBm	±3.0	dBm
Rx Input Power	Internal	-12 to +3dBm	±3.0	dBm

Recommended Circuit

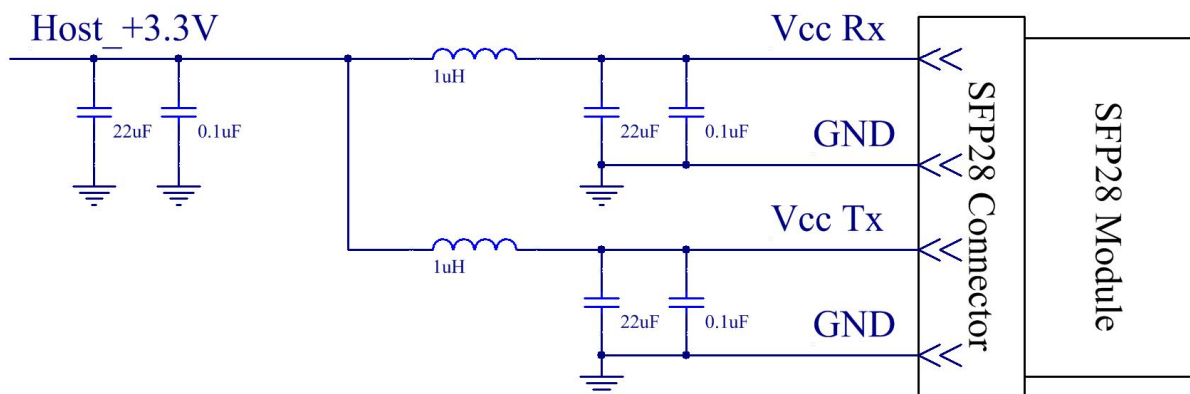


Figure 3, Recommended Host Board Power Supply Circuit

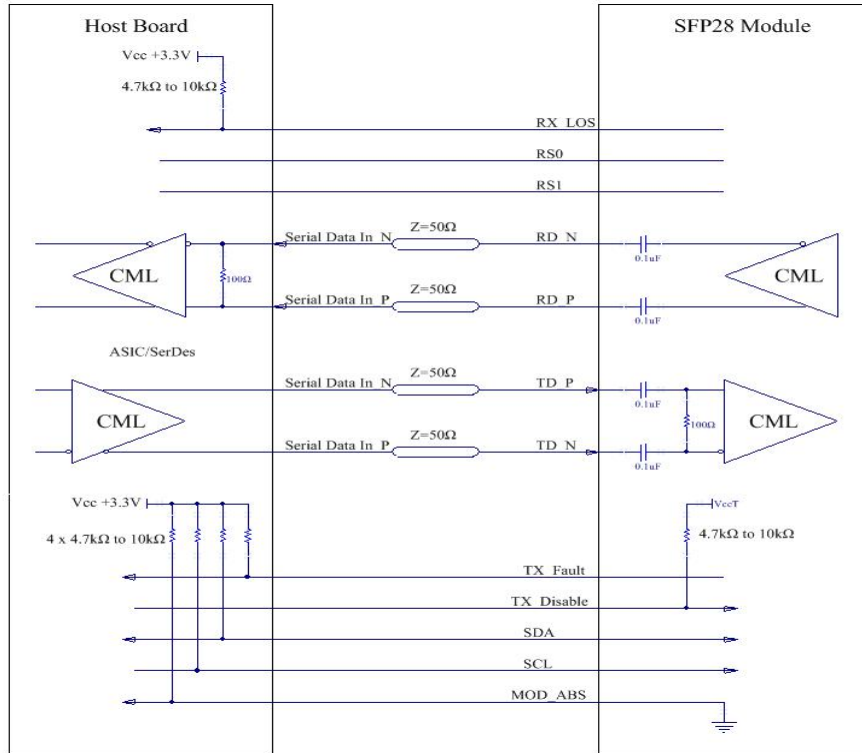


Figure 4, Recommended Interface Circuit

Mechanical Dimensions

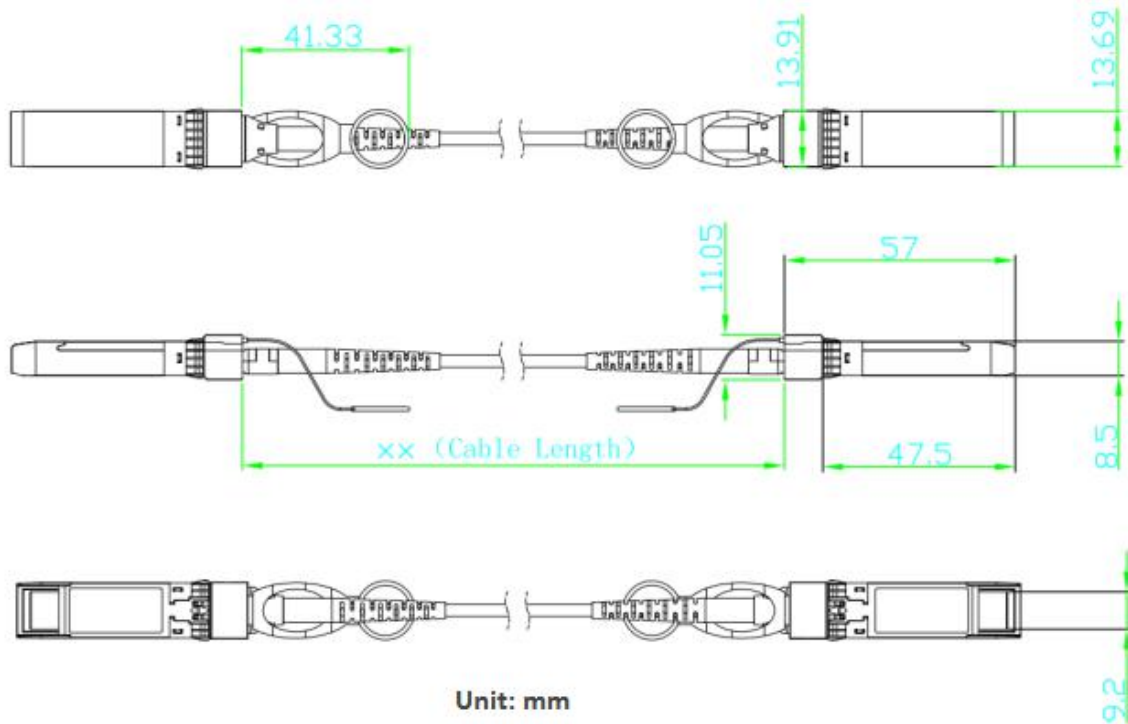


Figure 5, Mechanical Dimensions

Ordering information

Table 10. Ordering information

Part Number	Product Description
OTS-25G-AOC-03	850nm VCSEL, 25.78125Gbps,AOC 3m,OM4 MMF, -5° C ~ +70° C
OTS-25G-AOC-05	850nm VCSEL, 25.78125Gbps, AOC 5m,OM4 MMF, -5°C ~ +70°C
OTS-25G-AOC-10	850nm VCSEL, 25.78125Gbps, AOC 10m,OM4 MMF, -5°C ~ +70°C
OTS-25G-AOC-20	850nm VCSEL, 25.78125Gbps, AOC 20m,OM4 MMF, -5°C ~ +70°C
OTS-25G-AOC-100	850nm VCSEL, 25.78125Gbps, AOC 100m,OM4 MMF, -5°C ~ +70°C

Warnings

Handling Precautions: This device is susceptible to damage as a result of electrostatic discharge (ESD). A static free environment is highly recommended. Follow guidelines according to proper ESD procedures.

Laser Safety: Radiation emitted by laser devices can be dangerous to human eyes. Avoid eye exposure to direct or indirect radiation.

HuangShan Optoray Communication Corp.,Ltd.

No.4PiYun Road,Huangshan Economic Development Zone,Huangshan City,Anhui,China 245000

Tel:+86 559 5290615 Fax:+86 559 2585516

Http://www.optoray.com