

## 10G SFP+ CWDM-EML 80km Optical Transceiver

### OTS-10G-CXX-80

#### Features

- ◎ Supports 10Gb/s serial optical interface
- ◎ Up to 80km transmission on SMF
- ◎ Cooled CWDM EML laser and APD receiver
- ◎ Hot-pluggable SFP+ footprint
- ◎ SFI high speed electrical interface
- ◎ Built-in digital diagnostic functions
- ◎ Single +3.3V power supply
- ◎ Power consumption less than 1.8 W
- ◎ Operating case temperature: -5~+70°C
- ◎ SFP+ MSA package with duplex LC connector

#### Applications

- ◎ 10GBASE-ZR/ZW 10G Ethernet
- ◎ Other optical links

#### Standard

- ◎ Compliant with SFF-8472 and SFP+ MSA
- ◎ Compliant to SFF-8431 and SFF-8432
- ◎ Compliant with IEEE 802.3ae 10GBASE-ZR/ZW
- ◎ Compliant with FCC 47 CFR Part 15, Class B
- ◎ Compliant with Telcordia GR-468-CORE
- ◎ RoHS Compliant

**Table 1. Regulatory Compliance**

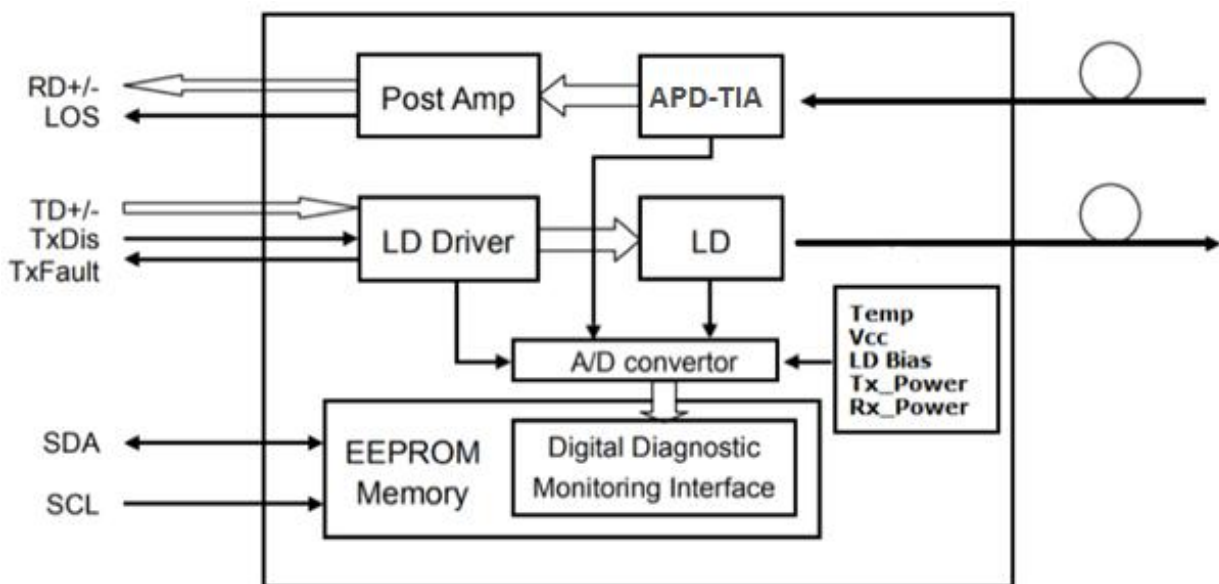
Feature	Standard	Performance
Electrostatic Discharge(ESD) to the Electrical Pins	MIL-STD-883E Method 3015.7	Class 1(>1000V for SFI pins, >2000V for other pins.)
Electrostatic Discharge (ESD) to the Duplex LC Receptacle	IEC 61000-4-2 GR-1089-CORE	Compatible with standards
Electromagnetic interference (EMI)	FCC Part 15 Class B EN55022 Class B (CISPR 22B) VCCI Class B	Compatible with standards
Immunity	IEC 61000-4-3	Compatible with standards
Laser Eye Safety	FDA 21CFR 1040.10 and 1040.11	Compatible with Class I laser product
RoHS	2002/95/EC 4.1&4.2 2011/65/EU	Compatible with standards

## Product Description

The SFP+ transceivers are high performance, cost effective modules supporting data rate of 10Gbps and 80km transmission distance with SMF.

The transceiver consists of three sections: a cooled CWDM EML laser transmitter, a APD photodiode integrated with a trans-impedance preamplifier (TIA) and MCU control unit. All modules satisfy class I laser safety requirements.

The transceivers are compatible with SFP Multi-Source Agreement and SFF-8472 digital diagnostics functions.



**Figure 1. Transceiver functional Block Diagram**

## Absolute Maximum Ratings

**Table 2. Absolute Maximum Ratings**

(Exceeding the limits below may damage the transceiver module permanently)

Parameter	Symbol	Min	Typ	Max	Unit	Notes
Maximum Supply Voltage	V <sub>CC</sub>	-0.5	-	+4.0	V	
Storage Temperature	T <sub>S</sub>	-40	-	+85	°C	
Case Operating Temperature	T <sub>A</sub>	-10	-	+75	°C	
Relative Humidity	RH	5	-	85	%	1

**Notes:**

1. Non-condensing.

## Recommend Operation Environment

**Table 3. Recommend Operation Environment**

Parameter	Symbol	Min	Typ	Max	Unit	Notes
Data Rate	BR	-	10.3125	-	Gbps	
Power Supply Voltage	V <sub>CC</sub>	3.13	3.3	3.47	V	
Power Supply Current	I <sub>CC</sub>	-	-	540	mA	
Power Dissipation	P <sub>D</sub>	-	-	1.8	W	
Case Operating Temperature	T <sub>A</sub>	-5	-	+70	°C	
Transmission Distance	T <sub>D</sub>	-	-	80	km	1

**Notes:**

1. Measured with ITU-T G.652 SMF

## Electricaloptical Characteristics

**Table 4. Electrical Characteristics(T<sub>OP</sub> = -5 to +70 °C, V<sub>CC</sub> = 3.13 to 3.47 V)**

Parameter	Symbol	Min	Typ	Max	Unit	Notes
<b>Transmitter</b>						
Differential Data Input Amplitude	V <sub>IN,P-P</sub>	180	-	850	mVpp	1
Input Differential Impedance	Z <sub>IN</sub>	90	100	110	Ω	
Transmitter Fault Output-High	V <sub>OH</sub>	2.4	-	V <sub>CC</sub>	V	
Transmitter Fault Output-Low	V <sub>OL</sub>	-0.3	-	0.4	V	
Transmitter Disable Voltage- High	V <sub>IH</sub>	2.0	-	V <sub>CC</sub>	V	
Transmitter Disable Voltage- low	V <sub>IL</sub>	0	-	0.8	V	
<b>Receiver</b>						
Differential output voltage swing	V <sub>OUT,P-P</sub>	300	-	850	mVpp	1

**HuangShan Oporay Communication Corp.,Ltd.**
**No.4PiYun Road,Huangshan Economic Development Zone,Huangshan City,Anhui,China 245000**
**Tel:+86 559 5290615 Fax:+86 559 2585516**
**Http://www.optoray.com**

Output Differential Impedance	Z <sub>OUT</sub>	90	100	110	Ω	
Deterministic Jitter	DJ	-	-	0.42	UI	
Total Jitter	TJ	-	-	0.70	UI	
LOS Output Voltage-High	V <sub>LOSH</sub>	2.0	-	V <sub>CC</sub>	V	
LOS Output Voltage-Low	V <sub>LOSL</sub>	-	-	0.8	V	

**Notes:**

1. CML input/output, internally AC-coupled and terminated.

## Optical Characteristics

**Table 5. Optical Characteristics(T<sub>OP</sub> = -5 to +70 °C, V<sub>CC</sub> = 3.13 to 3.47 V)**

Parameter	Symbol	Min	Typ	Max	Unit	Notes
<b>Transmitter</b>						
Optical Center Wavelength(CWDM)	λ <sub>c</sub>	λ <sub>c</sub> -6.5	λ <sub>c</sub>	λ <sub>c</sub> +6.5	nm	
Data Rate	BR	-	10.3125	-	Gbps	
Average Output Power	P <sub>O</sub>	0	-	+4.0	dBm	
Optical Extinction Ratio	ER	8.2	-	-	dB	
RMS Spectral Width (-20dB)	Δσ	-	-	0.45	nm	
Side Mode Suppression Ratio	SMSR	30	-	-	dB	
Data Dependent Jitter	DDJ	-	-	0.10	UI	
Total Jitter	TJ	-	-	0.28	UI	
Transmitter and Dispersion Penalty	TDP	-	-	3.0	dB	
Average Launch power of Tx OFF	P <sub>OFF</sub>	-	-	-30	dBm	
Optical Eye Mask	Compliant with IEEE 802.3ae-2005 and ITU-T G.691					
<b>Receiver</b>						
Center Wavelength Range	λ <sub>C</sub>	1260	-	1620	nm	
Data Rate	BR	-	10.3125	-	Gbps	
Receiver Sensitivity	R <sub>SEN</sub>	-	-	-22	dBm	1
Stressed Receiver Sensitivity (OMA)	R <sub>OMA</sub>	-	-	-20	dBm	
Maximum Input Power	P <sub>MAX</sub>	-7.0	-	-	dB	1
LOS Assert	LOS <sub>A</sub>	-35	-	-	dBm	
LOS De-Assert	LOS <sub>D</sub>	-	-	-25	dBm	
LOS Hysteresis	LOS <sub>H</sub>	0.5	-	5	dB	
Receiver Reflectance	R <sub>R</sub>	-	-	-27	dB	

**Notes:**

1. Measured with worst ER=8.2dB, RPBS 2<sup>31</sup>-1 test pattern @10.3125Gbs BER=<10<sup>-12</sup>.

## Table 6. Timing and Electrical

HuangShan Optoray Communication Corp.,Ltd.

No.4PiYun Road,Huangshan Economic Development Zone,Huangshan City,Anhui,China 245000

Tel:+86 559 5290615 Fax:+86 559 2585516

Http://www.optoray.com

Parameter	Symbol	Min	Typ	Max	Unit
Tx Disable Negate Time	t_on	-	-	1	ms
Tx Disable Assert Time	t_off	-	-	10	μs
Time To Initialize, including Reset of Tx Fault	t_init	-	-	300	ms
Tx Fault Assert Time	t_fault	-	-	100	μs
Tx Fault To Reset	t_reset	10	-	-	μs
LOS Assert Time	t_loss_on	-	-	100	μs
LOS De-assert Time	t_loss_off	-	-	100	μs
Serial ID Clock Rate	f_serial_clock	-	-	400	KHz
SDA, SCL, MOD_ABS High Level	V <sub>H</sub>	2	-	V <sub>CC</sub>	V
SDA, SCL, MOD_ABS Low Level	V <sub>L</sub>	-	-	0.8	V

## Pin Assignment

**Table 7. Pin Descriptions**

Pin	Symbol	Name/Description	Notes
1	VEET	Module Transmitter Ground	
2	Tx_Fault	Module Transmitter Fault	1
3	Tx_Disable	Transmitter Disable, Turns off transmitter laser output	2
4	SDA	2 wire serial interface data input/output (SDA)	1
5	SCL	2 wire serial interface clock input (SCL)	1
6	MOD_ABS	Module Absent, connected to VeeT or VeeR in the module	1
7	RS0	Receiver Rate Select	
8	Rx_LOS	Loss of Signal indication, Logic 0 indicates normal operation	3
9	RS1	Transmitter Rate Select, Not Used for this product	
10	VEER	Module Receiver Ground	
11	VEER	Module Receiver Ground	
12	RD-	Receiver Inverted Data Output, AC Coupled	4
13	RD+	Receiver Non-Inverted Data Output, AC Coupled	4
14	VEER	Module Receiver Ground	
15	VCCR	Module Receiver 3.3 V Supply	
16	VCCT	Module Transmitter 3.3 V Supply	
17	VEET	Module Transmitter Ground	
18	TD+	Transmitter Non-Inverted Data Input, AC Coupled	5
19	TD-	Transmitter Inverted Data Input, AC Coupled	5
20	VEET	Module Transmitter Ground	

**Notes:**

**HuangShan Optoray Communication Corp.,Ltd.**

**No.4PiYun Road,Huangshan Economic Development Zone,Huangshan City,Anhui,China 245000**

**Tel:+86 559 5290615 Fax:+86 559 2585516**

**Http://www.optoray.com**

1. Open collector/drain output, which should be pulled up with a 4.7kΩ to 10kΩ resistor on the host board if intended for use. Pull up voltage should be between 2.0V to 3.6V. A high output indicates a transmitter fault caused by either the TX bias current or the TX output power exceeding the preset alarm thresholds. A low output indicates normal operation. In the low state, the output is pulled to <math><0.8V</math>.
2. Laser output disabled on Tx\_Disable >2.0V or open, enabled on Tx\_Disable <math><0.8V</math>.
3. LOS is open collector output. Should be pulled up with 4.7kΩ to 10kΩ on host board to a voltage between 2.0V and 3.6V. Logic 0 indicates normal operation; logic 1 indicates loss of signal.
4. RD-/+: These are the differential receiver outputs. They are internally AC-coupled 100Ω differential lines which should be terminated with 100Ω (differential) at the user SERDES.
5. TD-/+: These are the differential transmitter inputs. They are internally AC-coupled, differential lines with 100Ω differential termination inside the module.

### Pin Assignment (continued)

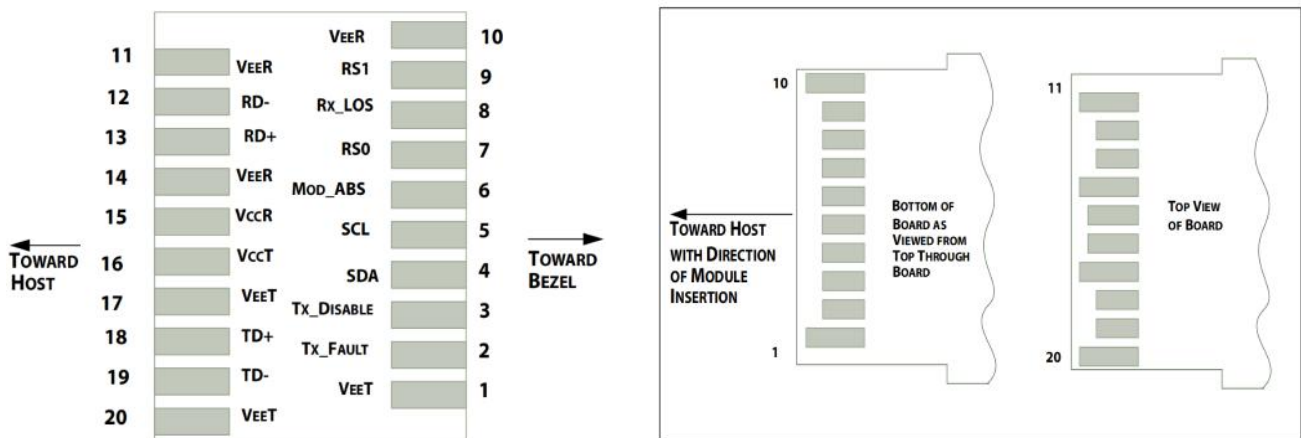


Figure 2. Host PCB SFP+ pad assignment top view and Names.

## Digital Diagnostic Memory Map

The transceivers provide serial ID memory contents and diagnostic information about the present operating conditions by the 2-wire serial interface (SCL, SDA).

The diagnostic information with internal calibration or external calibration all are implemented, including received power monitoring, transmitted power monitoring, bias current monitoring, supply voltage monitoring and temperature monitoring.

The digital diagnostic memory map specific data field defines as following.

HuangShan Optoray Communication Corp.,Ltd.

No.4PiYun Road,Huangshan Economic Development Zone,Huangshan City,Anhui,China 245000

Tel:+86 559 5290615 Fax:+86 559 2585516

Http://www.optoray.com



**Table 8. Digital Diagnostic Memory Map (Specific Data Field Descriptions)**

2 wire address 1010000X (A0h)		2 wire address 1010001X (A2h)	
0	Serial ID Defined by SFP MSA (96 bytes)  Vendor Specific (32 bytes)  Reserved (128 bytes)	0	Alarm and Warning Thresholds (56 bytes)
95		55	Cal Constants (40 bytes)
127		95	Real Time Diagnostic Interface (24 bytes)
		119	Vendor Specific (8 bytes)
127		127	User Writable EEPROM (120 bytes)
255		247	Vendor Specific (8 bytes)
		255	

**Table 9. Digital Diagnostic Monitor Characteristics**

Parameter	Calibration	Range	Accuracy	Unit
Transceiver Internal Temperature	Internal	-5 to +70°C	±3.0	°C
Vcc3 Internal Supply Voltage	Internal	3.0 to 3.6V	±3.0	%
Laser Bias Current	Internal	0 to 125mA	±10	%
Tx Output Power	Internal	-1 to +5dBm	±3.0	dBm
Rx Input Power	Internal	-26 to -6dBm	±3.0	dBm

## Recommended Circuit

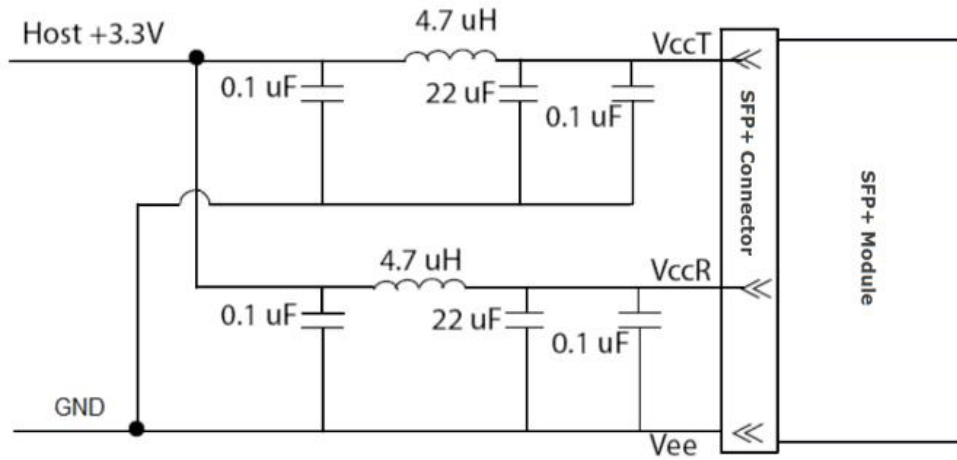


Figure 3, Recommended Host Board Power Supply Circuit

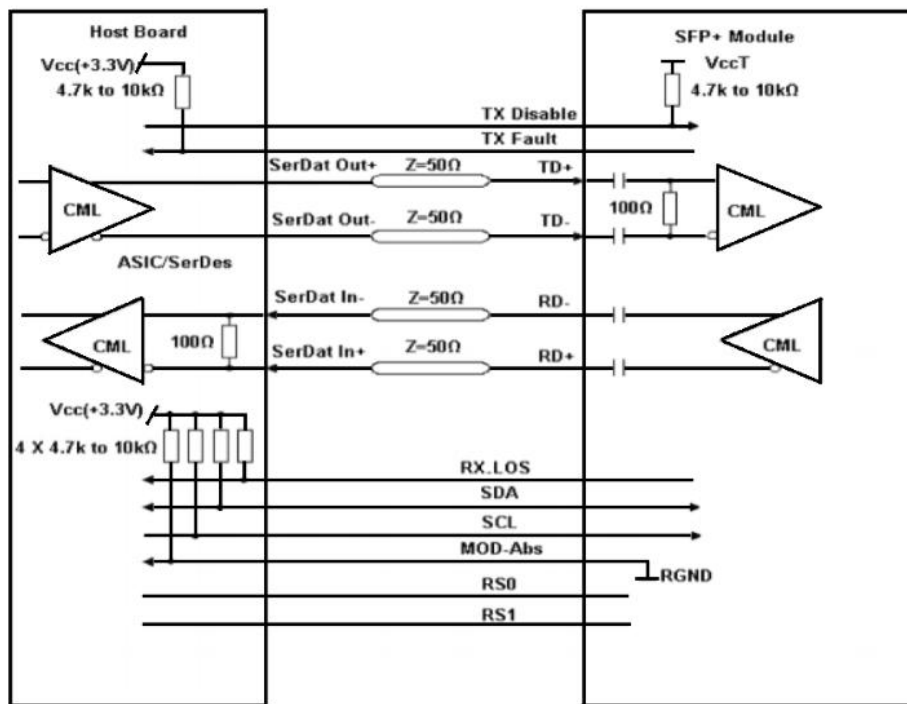
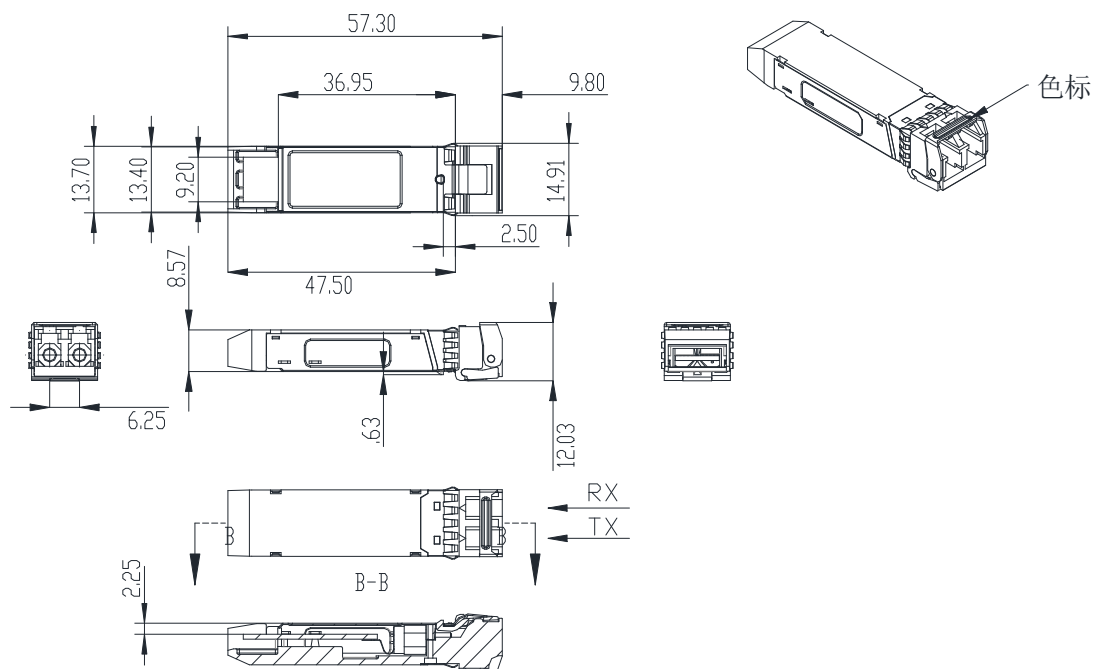


Figure 4, Recommended Interface Circuit

## Mechanical Dimensions





单位: mm  
未注公差±0.1

**Figure 5, Mechanical Dimensions**

## Ordering information

**Table 10. Ordering information**

Part Number	Product Description
OTS-10G-C47-80	1470nm CWDM EML, APD, 10.3125Gbps, SMF 80km, -5°C ~ +70°C
OTS-10G-C49-80	1490nm CWDM EML, APD, 10.3125Gbps, SMF 80km, -5°C ~ +70°C
OTS-10G-C51-80	1510nm CWDM EML, APD, 10.3125Gbps, SMF 80km, -5°C ~ +70°C
OTS-10G-C53-80	1530nm CWDM EML, APD, 10.3125Gbps, SMF 80km, -5°C ~ +70°C
OTS-10G-C55-80	1550nm CWDM EML, APD, 10.3125Gbps, SMF 80km, -5°C ~ +70°C
OTS-10G-C57-80	1570nm CWDM EML, APD, 10.3125Gbps, SMF 70km, -5°C ~ +70°C
OTS-10G-C59-80	1590nm CWDM EML, APD, 10.3125Gbps, SMF 70km, -5°C ~ +70°C
OTS-10G-C61-80	1610nm CWDM EML, APD, 10.3125Gbps, SMF 70km, -5°C ~ +70°C



黄山市光锐通信股份有限公司

HUANGSHAN OPTORAY COMMUNICATION CORP.,LTD

WWW.OPTORAY.COM

---

## Warnings

**Handling Precautions:** This device is susceptible to damage as a result of electrostatic discharge (ESD). A static free environment is highly recommended. Follow guidelines according to proper ESD procedures.

**Laser Safety:** Radiation emitted by laser devices can be dangerous to human eyes. Avoid eye exposure to direct or indirect radiation.